

SHOOTER-IIB

High Speed In-Line Tab Inserter

The **Shooter-IIB** is designed to provide fast, accurate tab insertions at high speeds. The tabber can be mounted to your equipment or be free standing for mobility.

The **Shooter-IIB** accurately inserts paper tabs into the receding delivery pile of sheeters, presses, paper board machines and paper converting equipment.

The **Shooter-IIB** can insert tabs at speeds up to 3 tabs per second. It can easily be connected to your equipment by using a micro switch, universal electronic coupling pick-up or using our infrared reflective opto sensor.

APPLICATIONS

- In-line batching at high speeds
- Maximize press time and profit
- Stop shortages and overages
- Improve customer satisfaction

STANDARD FEATURES

- Tab insertion at speeds up to 3 tabs per second.
- Counting speeds equal to your equipment
- Easily connects to your equipment
- Count erase
- Total and batch counts
- Variable knife cut delay
- Variable tape lengths
- Touch pad interface



Approved
MADE IN THE USA



"YOU CAN COUNT ON US!"

PO Box 837 • 138 Elizabeth Terrace • Cairo, NY 12413 USA

US Sales: Toll Free 1-888-407-3966

Phone: (518)622-2600

Fax: (518)622-2695

E-Mail: uspc1@wecount.com

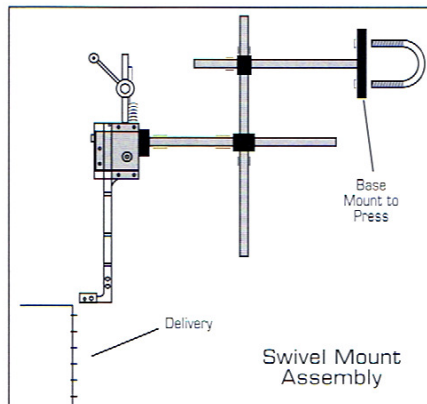
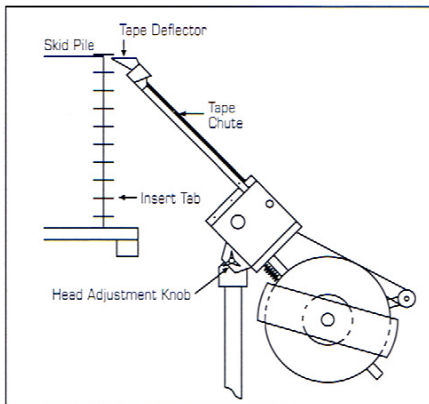
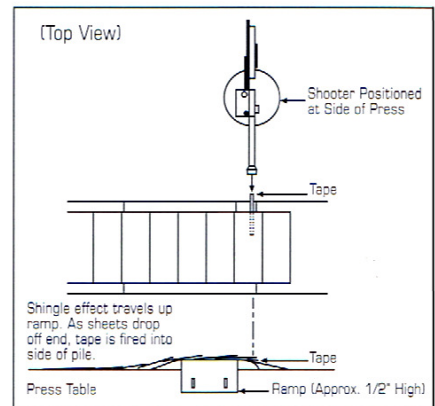
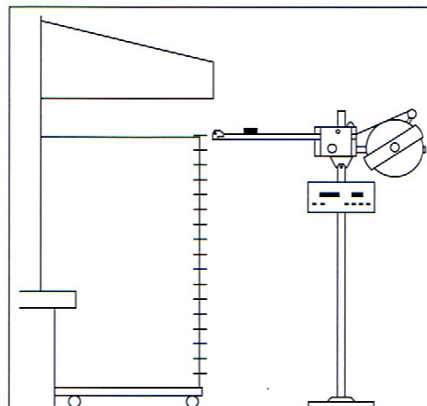
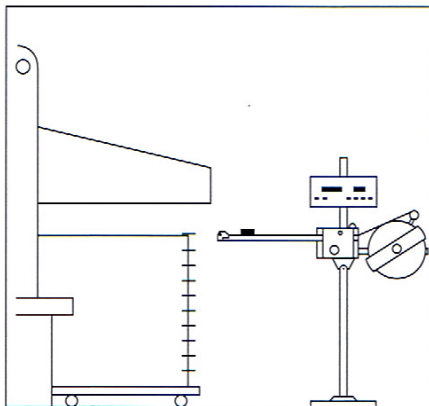
Visit us online at: www.wecount.com

SHOOTER-IIB

Customize your SHOOTER-IIB to further enhance productivity with these options:

- Infrared Reflective Opto Sensor
- 90° Angle Tape Chute
- Swivel Bracket mount
- Custom Tape Chute Lengths (16" standard, up to 36" available)
- Distribution Box (Allows 3 or more tabbing heads to be operated by one controller)
- Stagger tabbing (Inserting tabs from alternating tabbing heads.)
- Sharp-Shooter Option (spoilage marker / flagger and wireless remote)
- Additional Tabbing Head
- Customized Programming

Examples of Shooter-IIB Positions



STANDARD SPECIFICATIONS:

- Net Weight.....40lbs (18 Kg)
- Maximum Height
With standard
Pedestal.....60" (152 cm)
- Minimum Height
With standard
Pedestal.....20" (51 cm)
- Electrical.....110V AC, 3 Amp or
220.240V AC 50/60 Hz

**U. S. PAPER
COUNTERS**
Paper Counting Specialist



PO Box 837 • 138 Elizabeth Terrace • Cairo, NY 12413 USA
 US Sales: Toll Free 1-888-407-3966
 Phone: (518)622-2600
 Fax: (518)622-2695
 E-Mail: uspc1@wecount.com
 Visit us online at: www.wecount.com

Authorized Distributor / Agent